



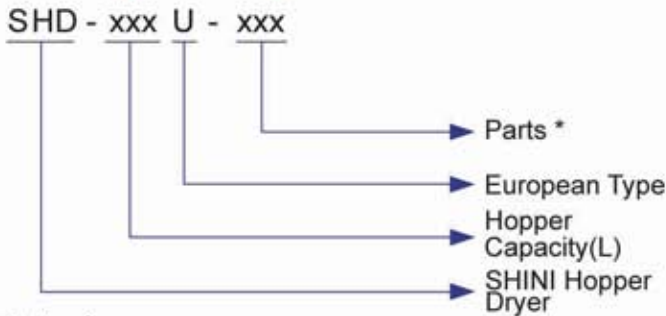
Hopper Dryers



SHD-300U

SHD-U Series

Coding Principle



Note: *

P=For Polished Hopper Inside

CE=European Standard

UL=US Standard

CSA=Canadian Standard

HD=Heatless Dehumidifying



SHD-1500U



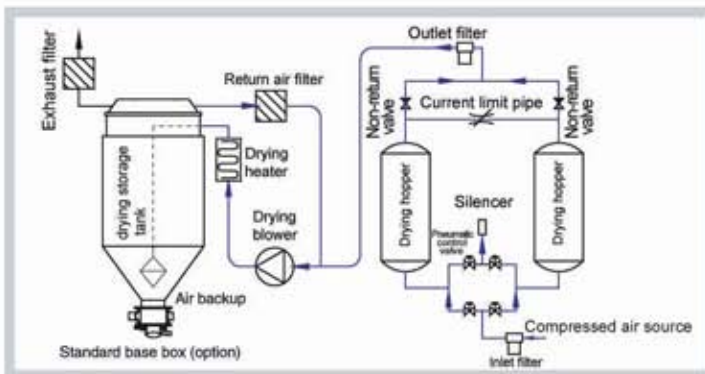
SHD-80U-HD + Floor Stand (Option) + Suction Box

Features

- Microprocessor is used for accurate temperature control.
- Digital P.I.D. temperature control with LED display.
- Overheat protection to ensure reliable operation.
- 7 days automatic start / stop timer to improve energy saving.
- Unique design of downblow air pipe can spread hot air evenly, keeping plastics dry and temp. stable to raise drying efficiency.
- Models SHD-80U and above have material clearance door to make the clean more convenient and effective.
- SHD-450U and models below are equipped with stainless steel lining aluminium base. SHD-600U~1200U are equipped with aluminium magnetic base. SHD-1500U and model above are equipped with manual butterfly valve.
- Optional access ladder is available for SHD-1500U and above models.
- SHD-U-HD heatless dehumidifying hot-air dryer, fit with heatless regenerative device, which can supply dried air with relative low dew-point for speedup materials drying.
- SHD-U-HD heatless dehumidifying hot-air dryer, standard with hot air recyclers, which can save energy effectively. Without dust discharging, which ensures environment protection.



Control Panel



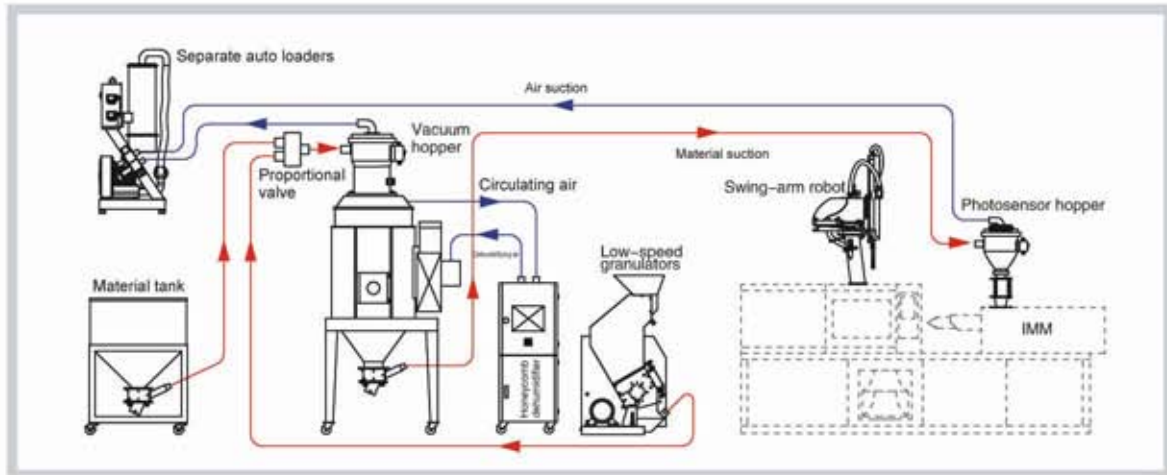
SHD-U-HD Working Principle



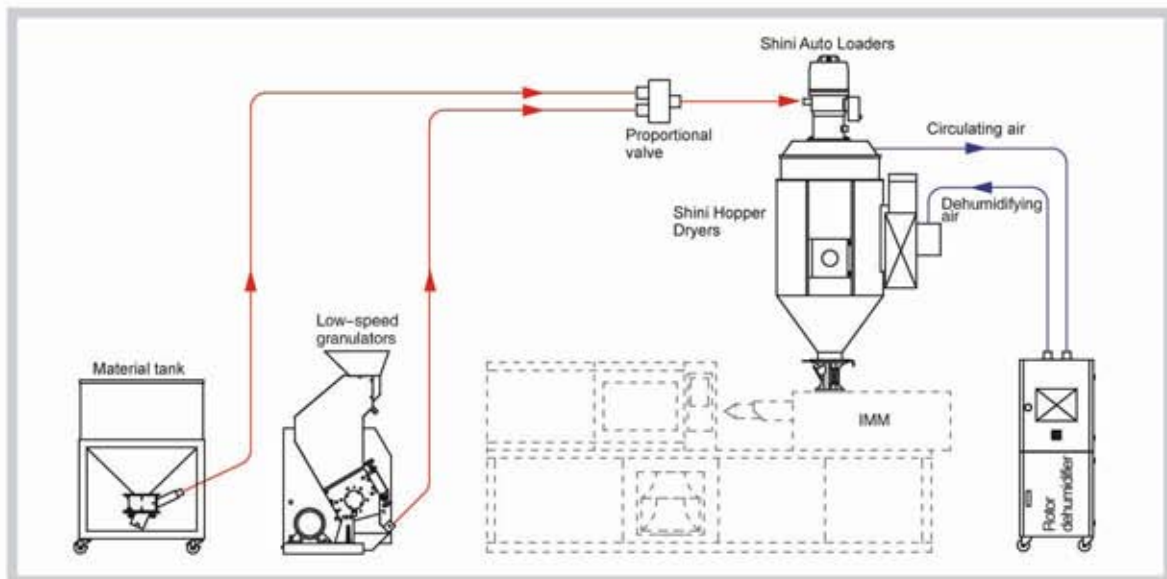
Shut-off Suction Box

■ Application

SHD-U series hopper dryers adopt hot air down-blowing design and use stainless steel made material hoppers to avoid contamination. With this design, they are also ideally suitable for use with honeycomb dehumidifiers to dry engineering plastics. There are 25 models available, ranging from 20 to 8000 liters.

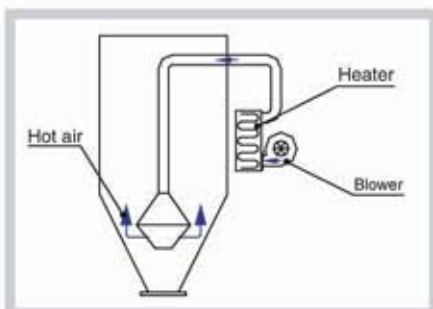


Floor stand mounting



Direct mounting

■ Working Principle



Air blown out of drying blower becomes high temperature drying air after being heated. Through screen protector and hole screen, hot air can be equably dispersed in the material of storage tank (see the picture). HAR is optional so the air enter drying blower after being filtered to form a closed loop circle.

Options

Material Suction Boxes

Euro-style in appearance design, work with dryer that has floor stand and vacuum loader, suitable for material suction and discharging.



Model	SHD-20U~120U	SHD-160U And Above
SBU	-20-38S	-160-38S
SBU	-20-50S	-160-50S
SBU	-20-38D	-160-38D
SBU	-20-50D	-160-50D

Note: 1) Install pneumatic shut off valve (plus "V" at the back of model).
 2) Change into stainless steel (plus "S" at the back of model).
 3) Suction box inside polished (plus "P" at the back of model).
 4) Single tube suction box (plus "S" " at the back of model) , Double tube suction box (plus "D" at the back of model).

Magnetic Bases



Including aluminum and stainless steel type, can work with dryers to effectively absorb the metal scraps to avoid material contamination.

Model	Applicable Model	Magnet Type	Aluminum Holder
MB-12	SHD-20U	MR-3	(88.5 x 78 x 2.3) x 2
MB-20U			
MB-50	SHD-40U~120U		(88.5 x 78 x 2.3) x 2
MB-40U			
MB-100	SHD-160U~450U		(118.5 x 105 x 2.3) x 2
MB-160U			
MB-600U	SHD-600U~1200U	(147 x 130 x 2.3) x 2	

Note: "U" represents stainless steel base.

Hopper Magnets

Absorb metal scraps in the material to avoid the damage of molding screw.



Model	Applicable Model	Aluminum Holder
MR-5	SHD-20U	(148 x 80 x 2.3) x 2
MR-7	SHD-40U~80U	(190 x 80 x 2.3) x 2
MR-9	SHD-160U~600U	(240 x 80 x 2.3) x 2
MR-11	SHD-900U and above	(298 x 80 x 2.3) x 2

Floor Stands

Support dryer and hopper loader, easy for installation and transportation.



Floor Stand
(SHD-20U~750U Applicable)

Model	Applicable Model	Dimensions (mm)		
		Length	Width	Height
FSU-20	SHD-20U	550	450	790
FSU-40	SHD-40U	550	450	790
FSU-80	SHD-80U / 120U	722	552	840
FSU-160	SHD-160U / 230U	795	652	920
FSU-300	SHD-300U / 450U	930	790	970
FSU-600	SHD-600U / 750U	1200	1000	1130

Blower Inlet Filters

Effectively filters 80% dust–contain air from dryer to avoid air pollution.



Model	Filtering Barrel Dia.(mm)	Air Inlet Pipe Dia. (mm)	Air Outlet Pipe Dia. (mm)	Applicable Models	Fixed Plate	Blower Flange (With Air Quantity Adjustor)
AIF-20U	160	1.5	2	SHD-20U	SHD-20U	Air Inlet Flange for 0.12kW Blower
AIF-40U	160	1.5	2	SHD-40U	SHD-40U	Air Inlet Flange for 0.12kW Blower
AIF-80U	225	2	3	SHD-80U / 120U	SHD-80U / 120U	Air Inlet Flange for 0.12kW Blower
AIF-160U	225	2.5	3	SHD-160U / 230U	SHD-160U / 230U	Air Inlet Flange for 0.18kW Blower
AIF-300U	225	2.5	4	SHD-300U / 450U	SHD-300U / 450U	Air Inlet Flange for 0.25kW Blower
AIF-600U	225	3	4	SHD-600U / 750U	SHD-600U / 750U	Air Inlet Flange for 0.55kW Blower
AIF-900U	225	4	4	SHD-900U / 1200U	SHD-900U / 1200U	Air Inlet Flange for 0.55kW Blower

Hot Air Recyclers

Work with hopper dryer to make hot air form a semi–hermetic circulated loop, it has features as follows:

Hot air recycling and circulating to avoid indoor temp. rise up. Keep air in factory clean and ensure product quality; Save energy consumption up to 40% due to heat brought from hot air recycling; Economical and compact design make it suitable for all hopper dryers. Air supply is adjustable;



Model	Filtering Barrel Dia. (mm)	Air Inlet Pipe Dia. (inch)	Air Outlet Pipe Dia. (inch)	Applicable Models	Fixed Plate	Blower Flange (With Air Quantity Adjustor)
HAR-20U	160	1.5	2	SHD-20U	SHD-20U	Air Inlet Flange for 0.12kW Blower
HAR-40U	160	1.5	2	SHD-40U	SHD-40U	Air Inlet Flange for 0.12kW Blower
HAR-80U	225	2	3	SHD-80U / 120U	SHD-80U / 120U	Air Inlet Flange for 0.12kW Blower
HAR-160U	225	2.5	3	SHD-160U / 230U	SHD-160U / 230U	Air Inlet Flange for 0.18kW Blower
HAR-300U	225	2.5	4	SHD-300U / 450U	SHD-300U / 450U	Air Inlet Flange for 0.25kW Blower
HAR-600U	225	3	4	SHD-600U / 750U	SHD-600U / 750U	Air Inlet Flange for 0.55kW Blower
HAR-900U	225	4	4	SHD-900U / 1200U	SHD-900U / 1200U	Air Inlet Flange for 0.55kW Blower

Exhaust Air Filters

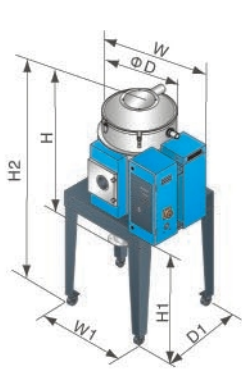
Effectively filters 90% dust–contain air from dryer to avoid air pollution.



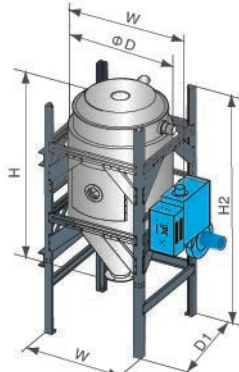
Model	Filtering Barrel Dia.(mm)	Air Inlet Pipe Dia. (inch)	Air Outlet Pipe Dia. (inch)	Applicable Models	Fixed Plate
ADC-20U	159	1.5	2	SHD-20U	SHD-20U
ADC-40U	159	1.5	2	SHD-40U	SHD-40U
ADC-80U	225	2	3	SHD-80U / 120U	SHD-80U / 120U
ADC-160U	225	2.5	3	SHD-160U / 230U	SHD-160U / 230U
ADC-300U	225	2.5	4	SHD-300U / 450U	SHD-300U / 450U
ADC-600U	225	3	4	SHD-600U / 750U	SHD-600U / 750U
ADC-900U	225	4	4	SHD-900U / 1200U	SHD-900U / 1200U

SHD-U Series

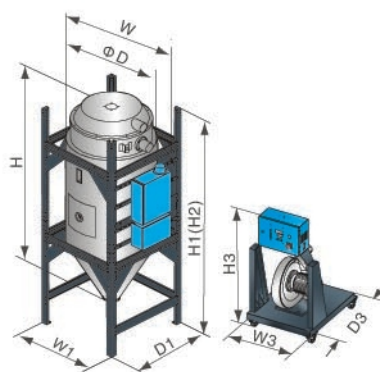
Outline Drawings



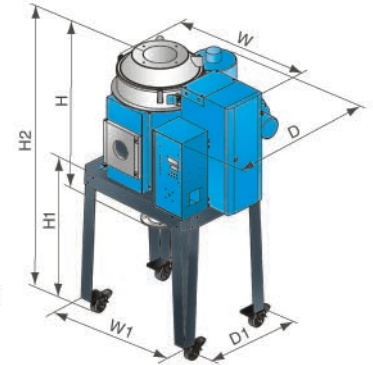
SHD-20U~750U
(Include Floor Stand)



SHD-900U~1200U
(Include Floor Stand)



SHD-1500U~8000U
(Include Floor Stand)



SHD-U-HD

Specifications

Model	Heater Power(kW)	Blower (kW) (50/60Hz)	Hopper Capacity(L)	Dimensions (mm) HXWXD	Floor Stand (mm) H1 X W1 X D1	Whole Height (mm) H2	Air Inlet Pipe Dia. ΦA (inch)	Air Outlet Pipe Dia. ΦB (inch)	Blower Stand (mm) H3 X W3 X D3	Weight (kg)
SHD-20U	2.2	0.05	20	730x575x325	790x450x550	1260			----	40
SHD-40U(-HD)	3	0.12	40	760x640x390	790x550x450	1295	2	1.5	----	45
SHD-80U(-HD)	3.9	0.12	80	940x722x475	840x730x560	1465	2.5	2	----	50
SHD-120U(-HD)	3.9	0.12	120	1210x722x475	840x730x560	1735			----	60
SHD-160U	6	0.12	160	1225x822x575	920x652x795	1825			----	90
SHD-230U	6	0.12	230	1505x822x575	920x652x795	2105	3	2.5	----	100
SHD-300U	12	0.18	300	1450x945x695	970x790x930	2085			----	130
SHD-450U	12	0.18	450	1850x945x695	970x790x930	2435			----	160
SHD-600U	18	0.55	600	1820x1170x915	1130x1000x1200	2470	4	3	----	200
SHD-750U	18	0.55	750	2100x1170x915	1130x1000x1200	2780			----	220
SHD-900U	18	0.55	900	2070x1410x1050	2760x1130x1130	2760	4	4	----	410
SHD-1200U	18	0.55	1200	3350x1410x1050	3190x1145x1145	3190			----	560
SHD-1500U	32	3	1500	2950x1640x1250	3470x1340x1340	3470	5	5	1210x660x800	685
SHD-2000U	32	3	2000	3350x1542x1250	3870x1340x1340	3870			1210x660x800	770
SHD-2500U	48	5.5	2500	3510x1798x1400	4000x1482x1482	4000			1310x780x850	800
SHD-3000U	48	5.5	3000	3910x1798x1400	4400x1482x1482	4400	6	6	1310x780x850	900
SHD-3500U	64	7.5	3500	4310x1798x1400	4800x1482x1482	4800			1310x780x850	1010
SHD-4000U	64	7.5	4000	4050x2010x1600	4550x1680x1680	4550			1310x780x850	1160
SHD-4500U	80	11	4500	4350x2010x1600	4850x1680x1680	4850			1450x850x900	1260
SHD-5000U	80	11	5000	4650x2010x1600	5150x1680x1680	5150			1450x850x900	1390
SHD-5500U	96	15	5500	4950x2010x1600	5450x1680x1680	5450			1450x850x900	1480
SHD-6000U	96	15	6000	4350x2250x1800	4870x1930x1930	4870	8	8	1450x850x900	1530
SHD-6500U	112	18.5	6500	4600x2250x1800	5120x1930x1930	5120			1550x900x1000	1625
SHD-7000U	112	18.5	7000	4850x2250x1800	5370x1930x1930	5370			1550x900x1000	1735
SHD-8000U	128	22	8000	5350x2250x1800	5620x1930x1930	5620			1550x900x1000	1820

Note: 1) For polished hopper inside, plus "P" at model behind.
 2) Blower is included in machine net weight, but floor stand is not included.
 3) Power: 3Φ, 230 / 400 / 460 / 575VAC, 50 / 60Hz.

We reserve the right to change specifications without prior notice.



SHINI PLASTICS TECHNOLOGIES, INC.

Headquarters:

Shini Plastics Technologies, Inc.

23 Minhe Street, Shulin District,
New Taipei City, Taiwan

tel: +886 2 2680 9119

fax: +886 2 2680 9229

email: shini@shini.com

Factories:

- Taipei / Taiwan
- Dongguan / China
- Ningbo / China
- Pinghu / China
- Mumbai / India