

Central Vacuum Generators

In central conveying system, central vacuum generator will provide vacuum (negative pressure) power. This machine adopts high pressure blower or Roots blower as its core power, which has features like heavy - duty, great power and long service life etc to ensure continuously loading. Besides, this series offer more than 11 models with maximum 15 HP applicable to different system applications. The start of the blower is controlled via central control station and can work with equipments like Euro vacuum central hopper and central filter to realize automatic material loading function.



SCVG-035-SS Side View



SCVG-035-SS

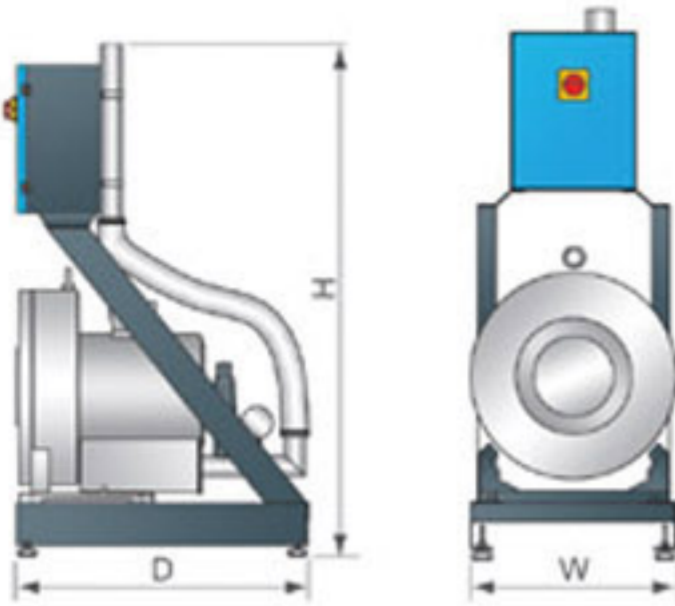
Features

- Euro design with attractive appearance and stable performance.
- Floor stand ensures convenient installation and easy maintenance.
- Safety valve is used to protect the blower when it is overloading.
- Optimised anti - vibration design can eliminate the vibration when the blower is running.
- Euro - style safety plug ensures safe operation.
- SIEMENS high pressure blower is optionally available (Except for SCVG - 035 - S / DS).
- Upon request, it can be built to comply with worldwide electrical safety standards (For example : CE, UL, CSA, JIS etc.).



Outline Drawings

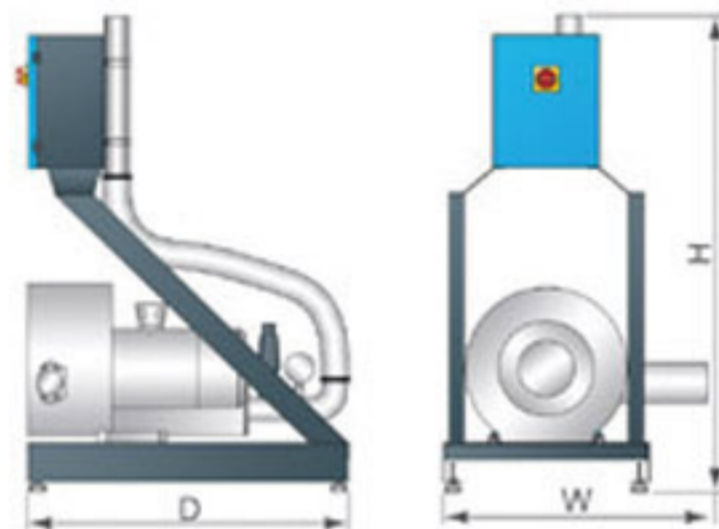
Specifications



Crelec Blower

Model	Motor Power (kW, 50/60Hz)	Air Suction Pipe Dia. (inch)	Dimensions (mm) H × W × D	Weight (kg)
SCVG-035-SS	2.2 / 2.6	2"	1110 × 420 × 650	60
SCVG-035-DS			1110 × 495 × 650	
SCVG-050-SS	4 / 4.5	2"	1110 × 420 × 650	64
SCVG-050-DS			1110 × 680 × 650	
SCVG-075-SS	5.5 / 6.3	2.5"	1220 × 460 × 700	105
SCVG-075-DS			1220 × 513 × 700	
SCVG-100-SS	7.5 / 8.6	2.5"	1220 × 460 × 700	108
SCVG-100-DS			1220 × 690 × 700	

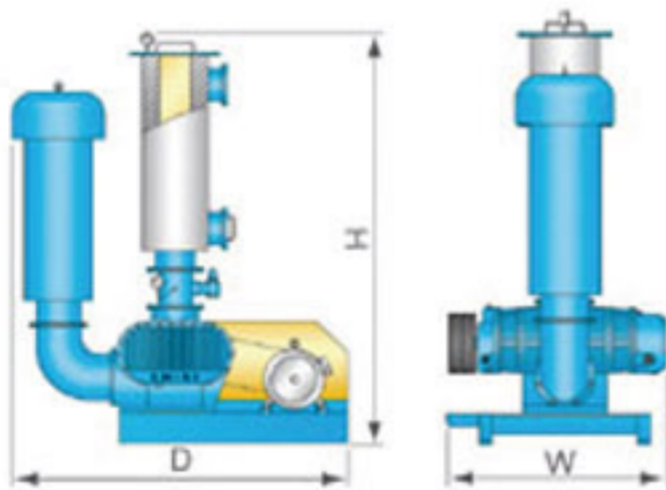
Note: 1) "SS" stands for single stage blower, "DS" stands for double stage blower.
2) Power supply 3Φ, 230 / 400 / 460 / 575V, 50 / 60Hz.



Siemens Blower

Model	Motor Power (kW, 50/60Hz)	Air Suction Pipe Dia. (inch)	Dimensions (mm) H × W × D	Weight (kg)
SCVG-050-SS	4 / 4.5	2"	1244 × 793 × 540	72
SCVG-050-DS			1190 × 655 × 793	83
SCVG-075-SS	5.5 / 6.3	2.5"	1244 × 540 × 793	156
SCVG-075-DS			1304 × 693 × 910	193
SCVG-100-SS	7.5 / 8.6	2.5"	1244 × 540 × 793	158
SCVG-100-DS			1304 × 693 × 910	200
SCVG-150-DS	11 / 13	3"	1424 × 693 × 996	235

Note: 1) "SS" stands for single stage blower, "DS" stands for double stage blower.
2) Power supply 3Φ, 230 / 400 / 460 / 575V, 50 / 60Hz.



Roots Blower

Model	Motor Power (kW, 50/60Hz)	Air Suction Pipe Dia. (inch)	Dimensions (mm) H × W × D	Weight (kg)
SRB-65-V	3.7 ~ 5.5 / 4.2 ~ 6.3	2"	1120 × 660 × 860	350
SRB-80-V	3.7 ~ 5.5 / 4.2 ~ 8.6	3"	1195 × 690 × 1060	400
SRB-100-V	5.5 ~ 11 / 6.3 ~ 13	4"	1195 × 820 × 1060	480
SRB-125-V	7.5 ~ 18 / 8.6 ~ 20.7	5"	2000 × 900 × 1285	600
SRB-125A-V	11 ~ 22 / 13 ~ 25.3	5"	2000 × 875 × 1285	640
SRB-150-V	15 ~ 30 / 17.2 ~ 34.5	6"	2040 × 985 × 1300	680

Note: 1) "V" stands for vacuum.
2) Applicable to various kinds of motors.
3) Power supply 3Φ, 230 / 400 / 460 / 575V, 50 / 60Hz.

We reserve the right to change specifications without prior notice.

SHINI PLASTICS TECHNOLOGIES, INC.

Corporate Strategic Center
Overseas Business Department:
Dalang, Dongguan, Guangdong, China
Tel: (0769) 8111 6600
Fax: (0769) 8111 6611
Email: shini@shini.com