

Material Distribution Stations

The function of material distribution station is to distribute materials to corresponding storage hoppers. There are five models of SMDS series, each equipped with quick couplers, so the loading and unloading of material are convenient. The stainless steel is adopted for build of the station to eliminate material contamination.



SMDS - 4 × 4

Features

- Flexible design.
- Material feeding pipe can be selected properly due to the use of quick coupler.
- System efficiency is improved by material depilers and auxiliary couplers.
- Firm, durable, and long service life.
- Changing material during operation is convenient and quicker.
- Material depiler is made of stainless steel to eliminate material contamination.



Rear Structural Drawing of SMDS

Specifications

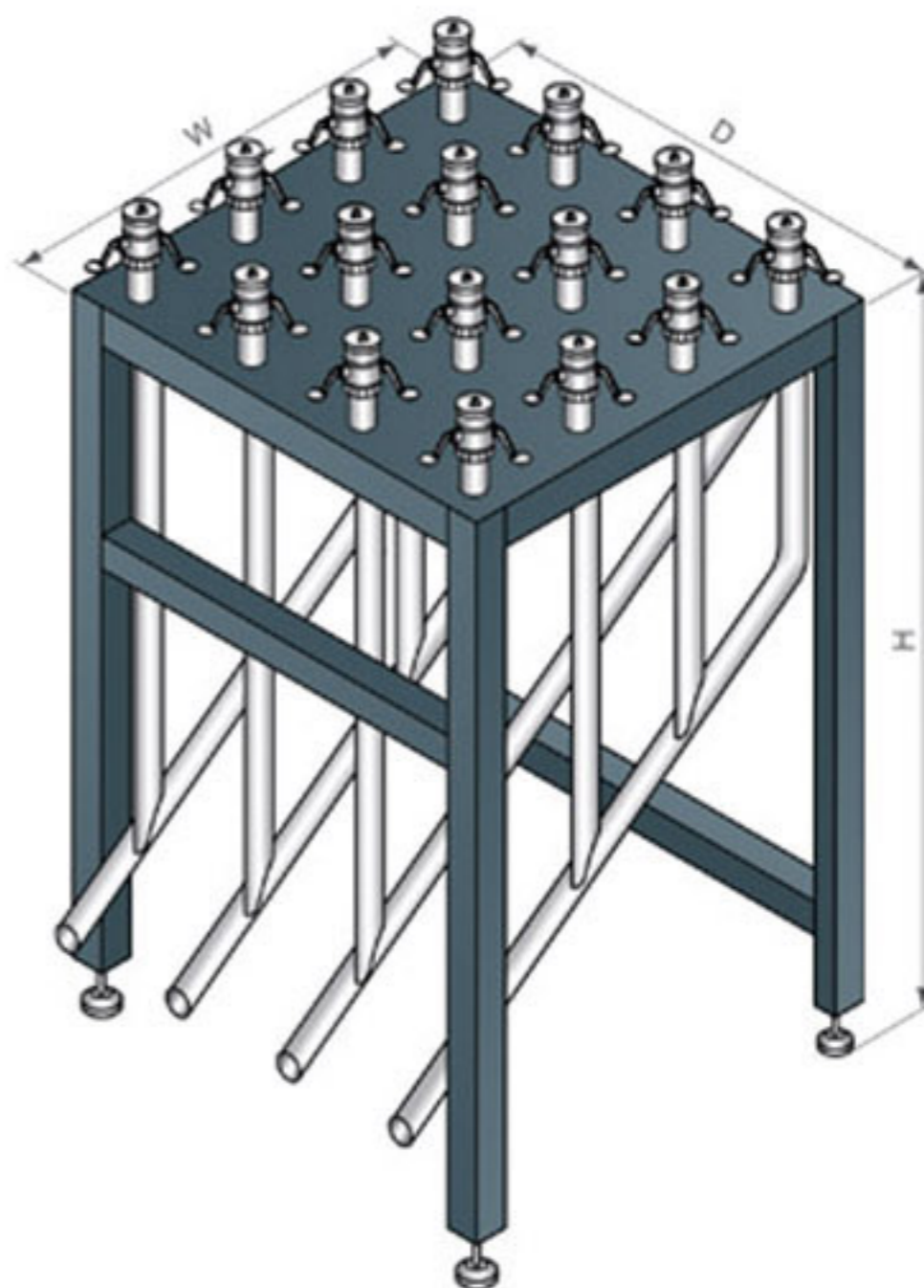
Model	Material Pipe Dia. (inch)	Material Pipe Dia. (inch)	Material Pipe Dia. (inch)	Dimension (mm) H × W × D
SMDS- 2 × 2	1.5"	2"	2.5"	1100 × 600 × 600
SMDS- 3 × 3				
SMDS- 4 × 4	1.5"	2"	2.5"	1100 × 884 × 884
SMDS- 5 × 5				
SMDS- 6 × 6				

Notes: 1) Three kinds of material pipes are optionally available for SMDS series, customized pipe demands can be met also.

2) Each pipe is supplied with one aluminum-made quick coupler (including blind plate).

We reserve the right to change specifications without prior notice.

Outline Drawing



Parts List



Vacuum Valves

The body of valve is manufactured from aluminum. The valve is equipped with one air cylinder and one solenoid valve. One rubber diaphragm controls on / off for the airflow, so the material feeding is properly controlled.



Vacuum Breaking Valves

The pneumatic vacuum breaking valve and one filter are installed on main air suction pipe or pulsed dust collector to protect blower and increase material conveying speed.

Vacuum Valves

Model	Pipe Diameter (Inch)
SPDV-38	1.5"
SPDV-50	2"
SPDV-63	2.5"

Vacuum Breaking Valves

Model	Pipe Diameter (Inch)
VBV-38	1.5"
VBV-50	2"
VBV-63	3"

Material Distributing Valves



The valve body is made of stainless steel. It is equipped with one air cylinder, one solenoid valve and one material distributing plate. The material distributing plate is driven by air cylinder to switch the feeding direction for the control of material flow.

Sealed Circulative Pneumatic Valves



The valve body is made of stainless steel. It is equipped with one air cylinder, one solenoid valve, one silencer and one diaphragm. They are used for dried material feeding and have the functions of vacuum sealed circulation and eliminating noise when air flows.

Material Distributing Valves

Model	Pipe Diameter (Inch)
SDV-38	1.5"
SDV-50	2"
SDV-63	2.5"

Sealed Circulative Pneumatic Valves

Model	Pipe Diameter (Inch)
SAV-38	1.5"
SAV-50	2"
SAV-63	2.5"



"Euro" Pneumatic Material Shut-off Suction Boxes

The "Euro" pneumatic material shut-off suction box is additionally installed, so when dried material is conveyed to material feeding pipe, it can be ensured that there is no residual material after material feeding and the material at the bottom of drying hopper will not be moistened.



Stainless Steel Made Material Storage Tanks

The tank body is made of stainless steel with inside polished. The bottom is equipped with floor stand. The structure is firm and durable. The 38 mm single-tube material suction box is included to feed materials. The optional material level sensor for level controlling.

"Euro" Pneumatic Material Shut-off Suction Boxes

Model	Applicable Model	
	SHD-20~120U	SHD-160U and Above
SBU-38	-20~38S-V	-160~38S-V
	-20~38D-V	-160~38D-V
SBU-50	-20~50S-V	-160~50S-V
	-20~50D-V	-160~50D-V

Note: 1) Changed into stainless steel made part (Plus "S" at model behind).
2) Polishing treatment for stainless steel (Plus "P" at model behind).

Stainless Steel Made Material Storage Tanks

Model	Capability of Barrel (kg)	Dimension (mm) H × W × D
MST-80U	50	1270 × 450 × 450
MST-160U	100	1565 × 550 × 550
MST-300U	200	1750 × 650 × 650
MST-450U	300	2200 × 650 × 650
MST-750U	500	2365 × 796 × 796

Other Parts



T-type Stainless Steel Pipe



Y-type Stainless Steel Pipe



L-type Stainless Steel Pipe



Pipe Reducer



Quick Coupler



Aluminum-alloy Pipe Connector



Stainless Steel Pipe Connector



Filter



(Food Degree) Anti-Static PUR Steel-wired Rubber Pipe



Glass Elbow Pipe



Stainless Steel Elbow Pipe



Inlet-outlet Flange of Drying Hoppers



Sealed Circulative Pneumatic Valve



Heat-resistant Air Pipe



High-temperature Resistant PU Pipe



PVC Steel-wired Rubber Pipe

SHINI PLASTICS TECHNOLOGIES, INC.

Corporate Strategic Center
Overseas Business Department:
Dalang, Dongguan, Guangdong, China
Tel: (0769) 8111 6600
Fax: (0769) 8111 6611
Email: shini@shini.com