



## Self-contained Hopper Loader

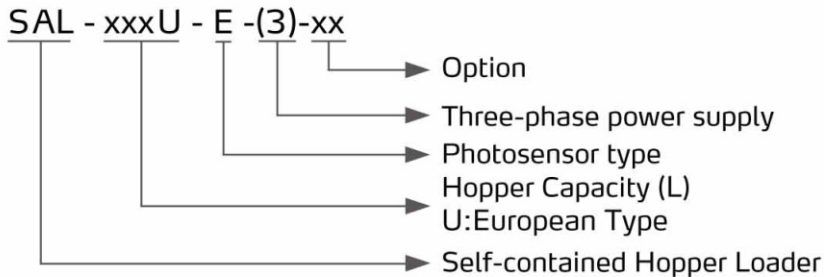
SAL-6U



Refer carefully to this manual before operation.

# SAL-U Series

## ■ Coding Principle



## ■ Features

### Standard configuration

- SAL-1U~SAL-12U (-E) adopt carbon brush motor with fast rotating speed and large air quantity while maintain compact appearance, easy for movement and installation.
- Wire-control controller is convenient to use with automatic cleaning function.
- Equipped with motor soft start function and carbon brush consumption prompt (except for three-phase motor).
- Wire connection point for SPV-U.
- Hopper and base mount positions are adjustable.
- Differential pressure switch is applied and screener blockage alarm is available (Applicable to SAL-1U~12U (E)).
- SAL-U has a reed switch, while SAL-U-E adopts photosensor switch with high sensitivity and stable quality.
- All models equipped with hinged hopper lid that are connected by hinge for easy mesh cleaning.
- SAL-3U and above model has an outer dia.  $\Phi 275\text{mm}/\Phi 10.8''$  base, which can work with all "European type" hopper dryers except SHD-20U and all "Standard" hopper dryers above SHD-75.
- SAL-1U has an outer dia.  $\Phi 200\text{mm}/\Phi 7.9\text{inch}$  base, transitional flange must be mounted when this series works with SHD-20U/40U.
- All SAL-U series machines have cloth mesh filter and auto-spraying dust cleaner as standard equipments. For SAL-6U and above models, it is available to select air accumulator to enhance purging and reduce manually clean time.
- SAL-U-3 series also has standard cloth mesh filter and motor reverse cleaning function.



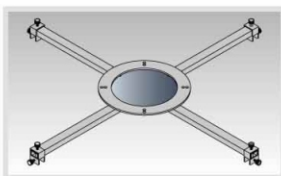
SAL-1U



Air Accumulator

## ■ Options

### HMB-900

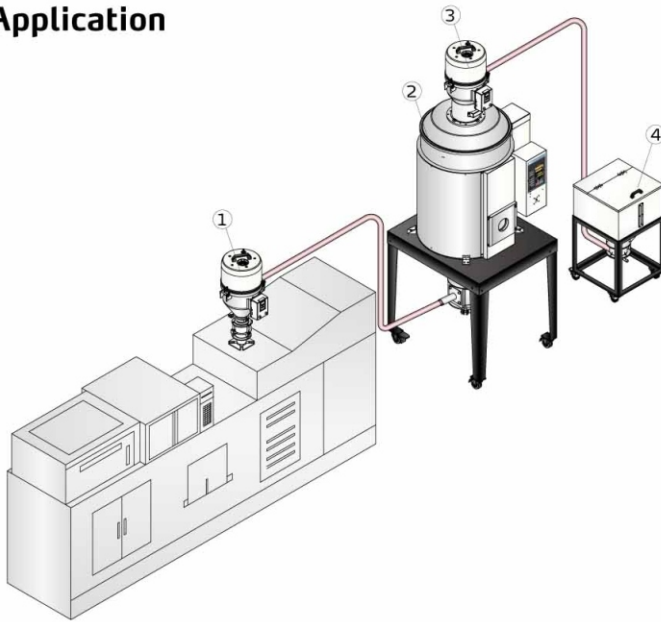


Optionally provide multi-functional installation frame HMB with 900mm/35.4inch largest dia. adjusting range for selection.

add "HMB" at the end of the model code.

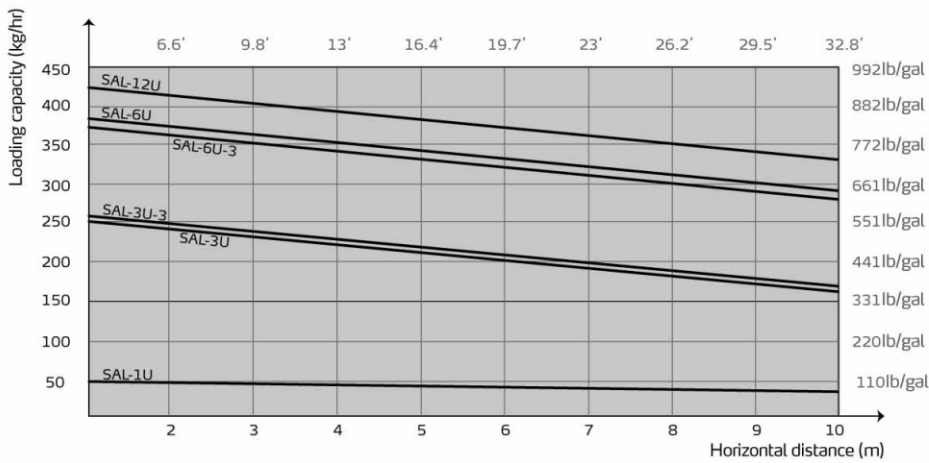
- Standard Collective Hopper SCH-6U/12U/24U and Euro Insulation Collective Hopper SICH-6U/12U/24U are optional(material temperature decreasing range is not higher than  $30^{\circ}\text{C}/54^{\circ}\text{F}$  within 30 minutes);add this collective hopper at bottom of the magnetic-proximity switch hopper can be directly mounted on the injection molding machine.
- Reinforcing auto cleaning of air accumulator is optional (Applicable to SAL-6U/12U).Add "A" at the end of the model code.
- Buzzer is an option (Applicable to SAL-U-3).Add "B" at the end of the model code.
- Quick mixing valve can be opted to work with proportional valve to enhance mixing effect.Add "QM" at the end of the model code.
- For polished hopper inside,add "P" at the end of the model code.

## Application



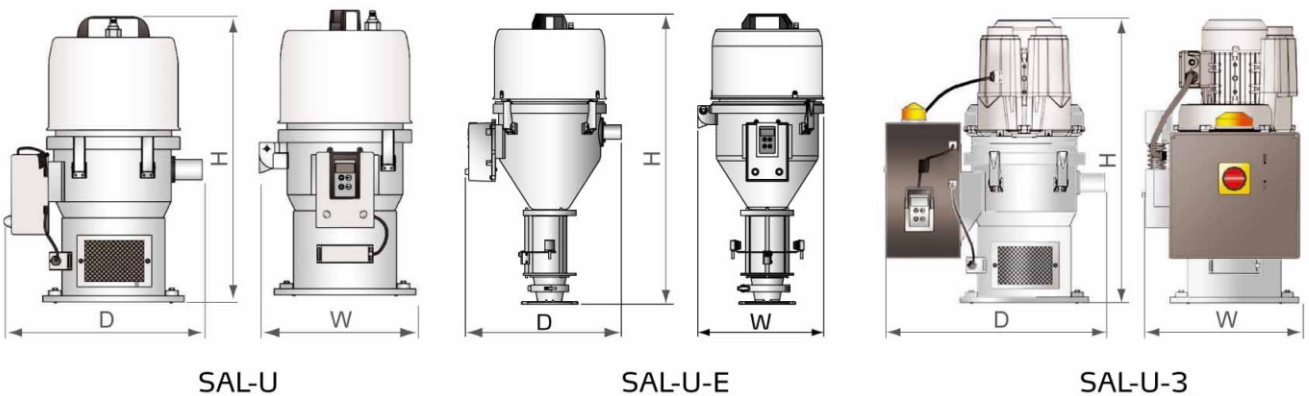
1. Self-contained hopper loader (SAL-U-E)
2. Hopper dryer
3. Self-contained hopper loader (SAL-U)
4. Material tank

## Loading Capacity



Height: 4m/13.1'  
 Bulk density: 0.65 kg/L(5.5lb/gal)  
 Frequency: 60Hz

## Outline Drawings



# SAL-U Series

## Specifications

Model	SAL-1U	SAL-3U	SAL-6U	SAL-12U	SAL-1U-E	SAL-3U-E	SAL-6U-E	SAL-12U-E	SAL-3U-3	SAL-6U-3		
Motor Type	Carbon brush								Inductive			
Motor Power (kW, 50/60Hz)	0.46/0.55	1.15/1.32	1.15/1.32	1.15/1.32	0.46/0.53	1.15/1.32	1.15/1.32	1.15/1.32	0.37/0.42	0.75/0.85		
Conveying Pipe Dia. (inch)	1.5	1.5	1.5	1.5	1.5	1.5	1.5	1.5	1.5	1.5		
Conveying Capacity	kg/hr	30	200	300	400	30	200	300	400	200	300	
	lb/hr	66	441	661	882	66	441	661	882	441	661	
Hopper Capacity	L	1	3	6	12	1.5	3	6	12	3	6	
	gal	0.26	0.79	1.59	3.17	0.4	0.79	1.59	3.17	0.79	1.59	
Power Supply	1 $\Phi$ , 115/230VAC, 50/60Hz								3 $\Phi$ , 230/400/460/575VAC, 50/60Hz			
Auto-cleaning Function	Standard	Standard	Standard	Standard	Standard	Standard	Standard	Standard	Standard	Standard		
Air accumulator	-	-	Optional	Optional	-	-	Optional	Optional	-	-		
Dimension	H	mm	525	555	645	745	630	740	800	935	610	700
		inch	20.7	21.8	25.4	29.3	24.8	29.1	31.5	36.8	24	27.6
	W	mm	270	305	340	340	260	305	340	340	340	380
		inch	10.6	12	13.4	13.4	10.2	12	13.4	13.4	13.4	15
	D	mm	325	370	410	410	325	370	410	410	475	540
		inch	12.8	14.6	16.1	16.1	12.8	14.6	16.1	16.1	18.7	21.3
Weight	kg	10	11	12	14	11	13	16	18	18	33	
	lb	22	24.3	26.5	30.9	24.3	28.7	35.3	39.7	39.7	72.8	

Notes: 1) Test condition of conveying capacity: plastic material of bulk density 0.65kg/L(5.5lb/gal), dia. 3~5mm/0.12~0.2inch, vertical conveying height: 4m/13.1Feet, horizontal conveying distance: 1m/3.28Feet.  
2) Compressed air supply: 4~6kgf/cm<sup>2</sup>.

We reserve the right to change specifications without prior notice.

## Shini Group

Addr: No. 23, Minhe St., Shulin Dist.,  
New Taipei, Taiwan

Tel: +886 2 2680 9119

Fax: +886 2 2680 9229

Email: [shini@shini.com](mailto:shini@shini.com)

### Factories:

- Taiwan
- Dongguan
- Pinghu
- Ningbo
- Chongqing
- Pune

2015-08-15-04 Copyrights Reserved.

[www.shini.com](http://www.shini.com)